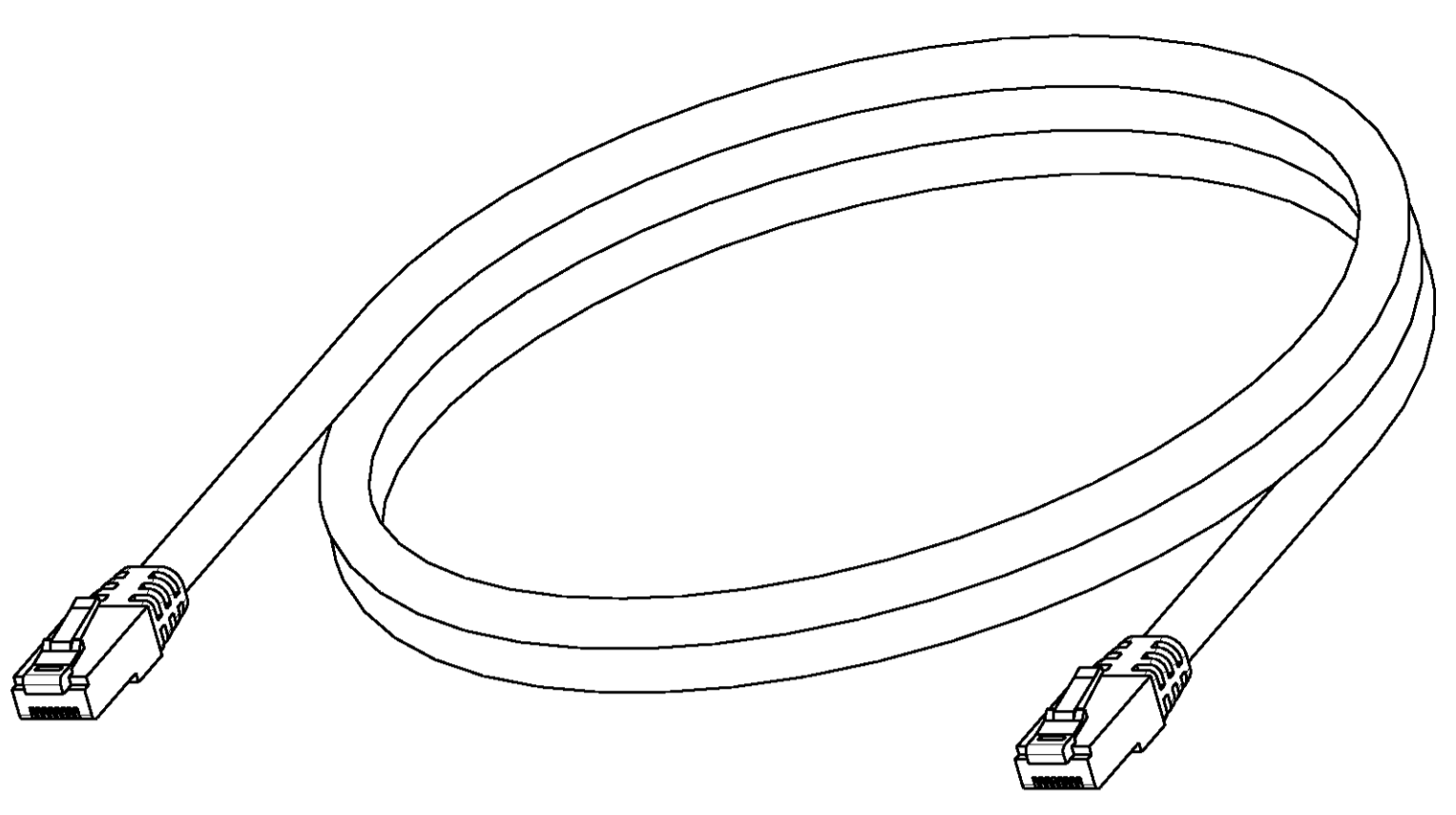
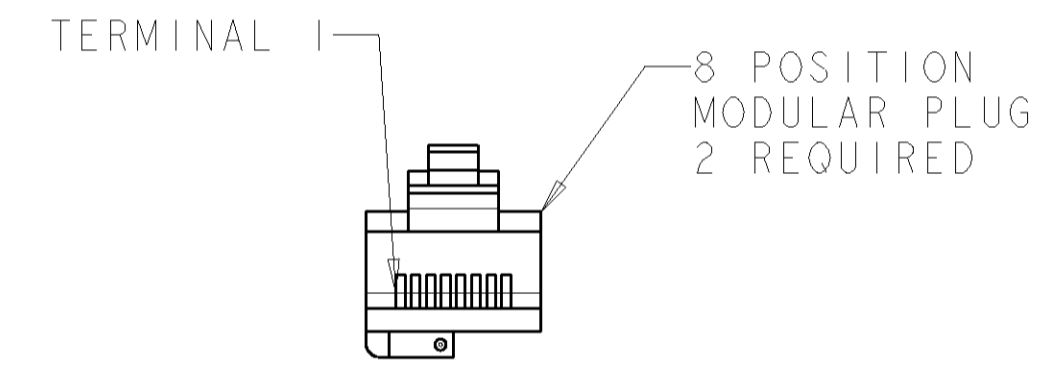
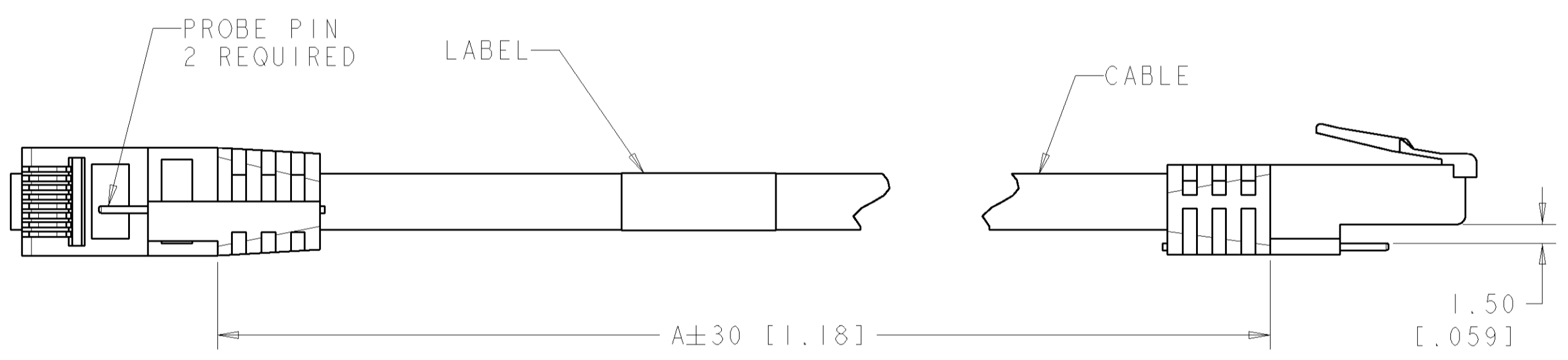


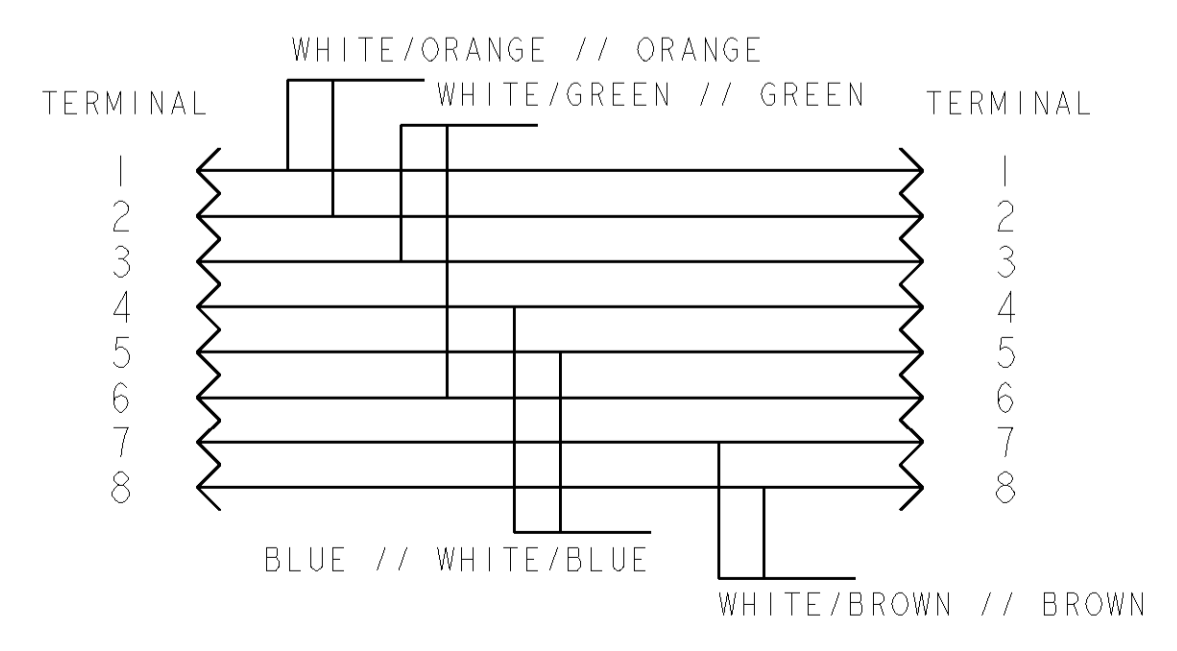
LOC		DIST		REVISIONS			
1	2	P	LTR	DESCRIPTION	DATE	DWN	APVD
		C1		ESEO-0077-03	01-Sep-03	JG	JG



- △ CABLE ASSEMBLY SHALL BE WIRED PER WIRING DIAGRAM.
- 2. FINAL ASSEMBLY SHALL BE 568B COMPLIANT.
- △ ABCD IS DATE CODE AB - YEAR
CD - WEEK



AMPTRAC CAT5E PATCH CABLE 24AWG FH01 E148114 LSZH ABCD



△ WIRING DIAGRAM
568B

5	5000.00 [196.85]	1435332-5
3	3000.00 [118.11]	1435332-3
1	1000.00 [39.37]	1435332-1
METER, REF	A	PART NO.

DIMENSIONS: MM [INCHES]		TOLERANCES UNLESS OTHERWISE SPECIFIED: 0 PLC ± 1 PLC ± 2 PLC ± 3 PLC ± 4 PLC ± ANGLES ± FINISH -		DWN L HALL 18JUL02 CHK L SMITH 18JUL02 APVD P PEPE 18JUL02	NAME PATCH CORD, AMPTRAC ENHANCED CATEGORY 5, LSZH, WHITE	Tyco Electronics AMP España S.A. Barcelona, Spain
MATERIAL	-	WEIGHT	-	SIZE	CAGE CODE	DRAWING NO
				A	00779	C=1435332
CUSTOMER DRAWING				SCALE	NTS	SHEET 1 OF 1